



# COUNTING MODULE

## FULLY SOLID STATE ENCAPSULATED

# SERIES BC6 - BINARY COUNTER

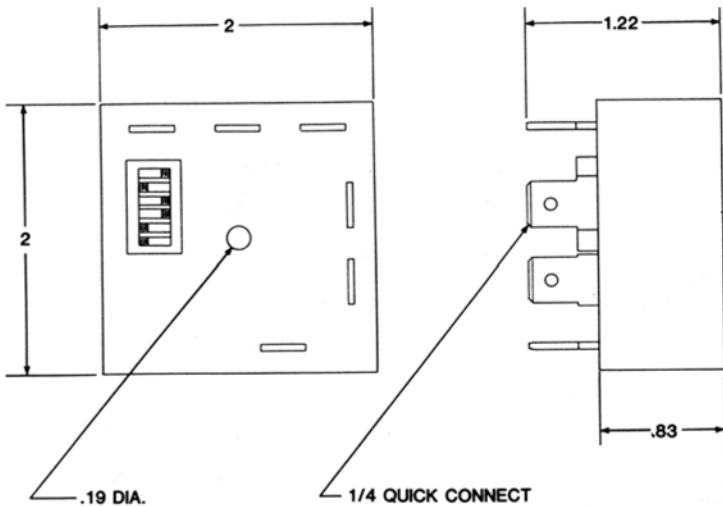
### CMOS DIGITAL CIRCUITRY

- Life Expectancy –unlimited
- Environment Protected
- Tamper Proof
- No False Operate
- Small Size – 2"x 2" x 53/64"
- Lightweight – approximately 2.5 oz.
- Rugged
- Transient Protected

The BC6 is a switch settable predetermined binary counter. It can be preset to accept up to 63 counts by means of the on board 6 position DIP switch. Each closure of the external count switch at the counter terminals 6 and 1 will cause the count to advance. A momentary output pulse will appear at terminal 7 when the number of switch closures equals the preset count.

The count is preset by moving 1 or more DIP switch actuators to the ON position. For example setting the 1, 2 & 4 actuators to the ON position will require a total of 7 count switch closures to produce an output pulse. Note that 1 + 2 + 4 = 7 which is the preset count. Each closure of the external count switch causes the count to advance. When the closures have accumulated to equal the DIP switch preset count, the output turns on briefly and the counter will automatically reset. The output is an isolated 80 Ma pulse for the BC6-2. The output for the BC6-1 is a 12VDC, 3 Ma pulse. The counter is intended as an initiate source for small solenoids, relays and timers. The counter DIP switch settings are combined and summed at any preset count between 1 and 63.

### OUTLINE DRAWING



### SPECIFICATIONS

1. Operating Voltage Tolerance:  $\pm 20\%$ .
2. Reset Time: 150 ms max.
3. Load Current: Pulse BC6-1, 3 ma @ 12VDC, BC6-2, 80 ma max.
4. Leakage Current: 5 ma.
5. Dielectric Strength: 1500 VRMS.
6. Insulation Resistance: 100 Megohms Min.
7. Input Transient Protection: 3000v at 120v input, 6000v at 240v input.
8. Temperature Ambients: Operating -40°C to +75°C, Storage -55°C to +85°C
9. Humidity-Operating: 95% Relative

HOW TO ORDER		BC6 - 11 or BC6 - 2 (V)
SERIES	(V)=VOLTAGE	
BC6-2	1 = 12VDC 2 = 24VDC 3 = 48VDC 4 = 24VAC 5 = 120VAC 6 = 240VAC	

**MADE IN USA**

**EXAMPLE P/N: BC6-11** This is a Binary Counter with an INPUT VOLTAGE of 12 VDC. This is the only model for the BC6-1.



American Control Products / Precision Timer  
 a division of Prime Technology  
 344 Twin Lakes Road  
 North Branford, CT 06471  
 Telephone: (203) 481-5721  
 Fax: (203) 481-8937  
 Email: sales@primetechnology.com  
 www.primetechnology.com

### TECHNICAL BULLETIN

### SOLID STATE TIMING MODULE

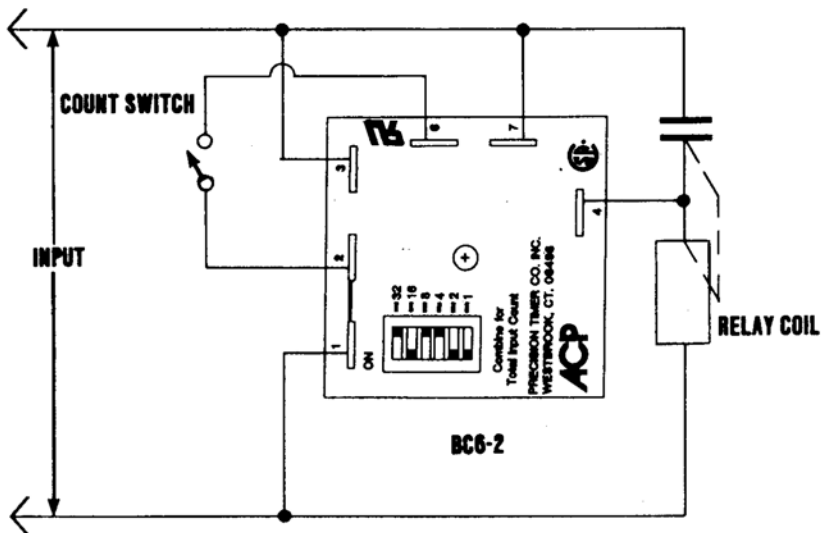
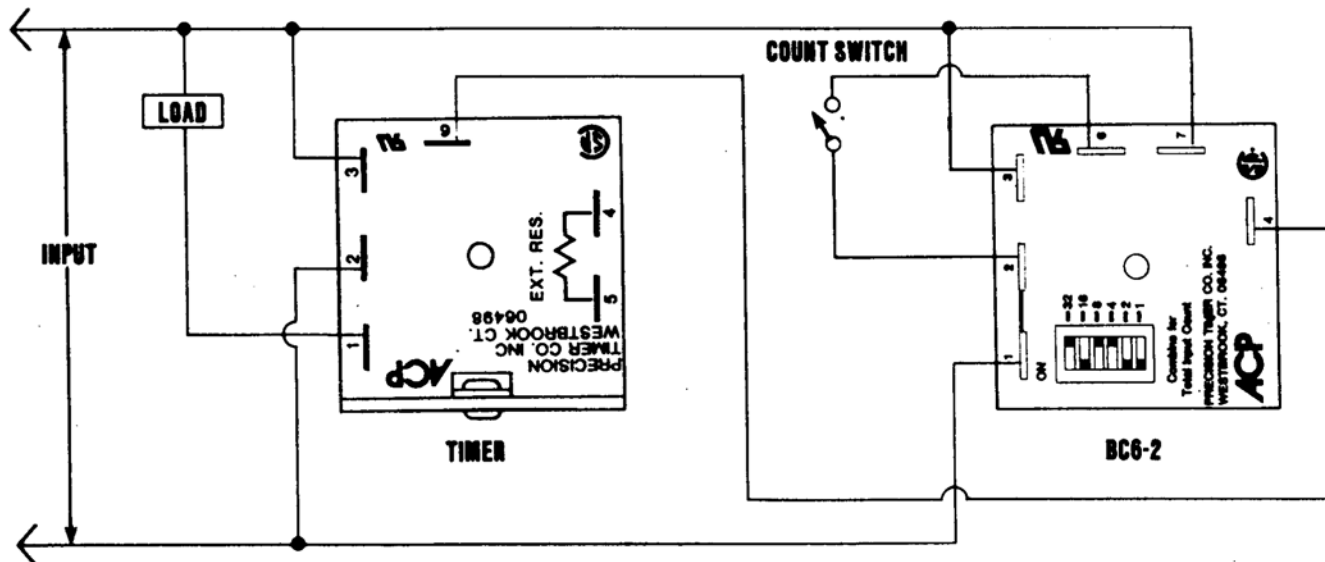
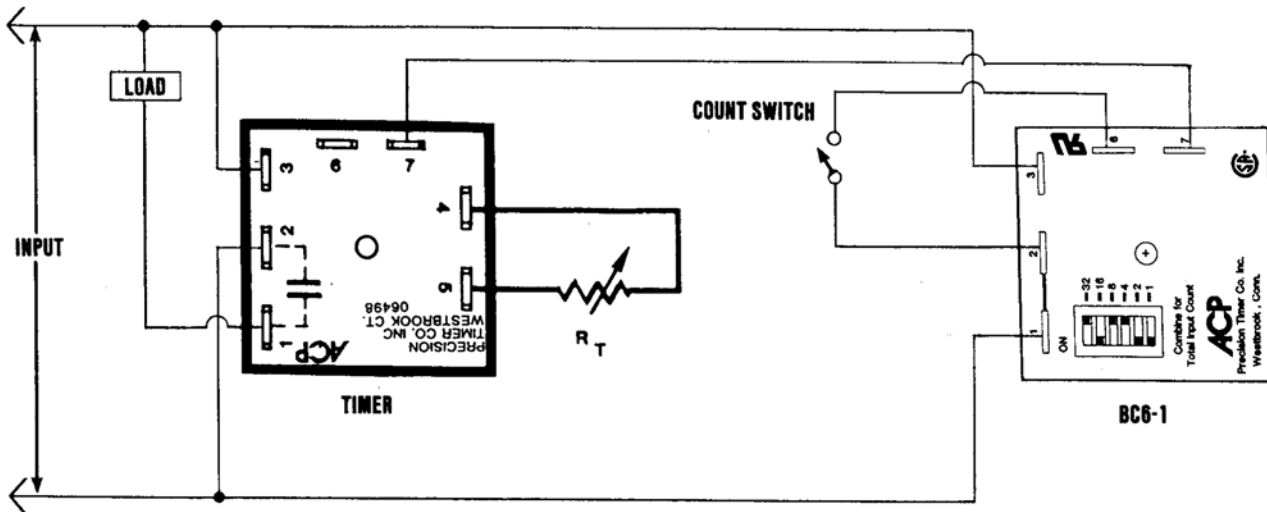
PAGE 1  
OF 2

DATE  
3/22/04

BC6

REV

# TYPICAL WIRING DIAGRAMS



**MADE IN USA**

American Control Products / Precision Timer  
 a division of Prime Technology  
 344 Twin Lakes Road  
 North Branford, CT 06471  
 Telephone: (203) 481-5721  
 Fax: (203) 481-8937  
 Email: sales@primetechnology.com  
 www.primetechnology.com



## TECHNICAL BULLETIN

### SOLID STATE TIMING MODULE

PAGE  
OF

DATE  
3/22/04

**BC6**

REV